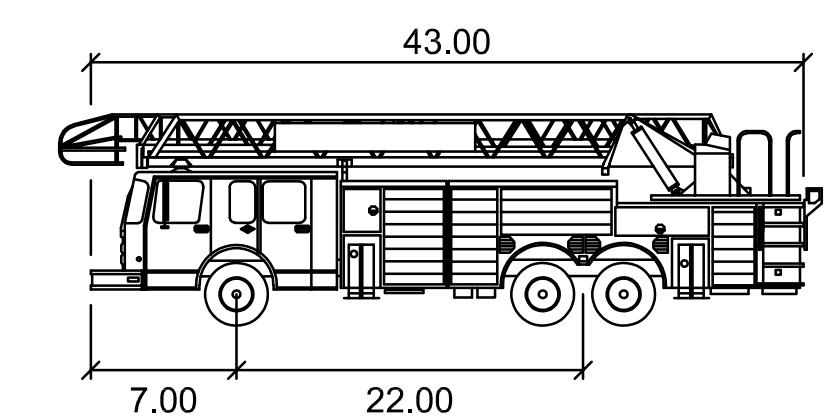
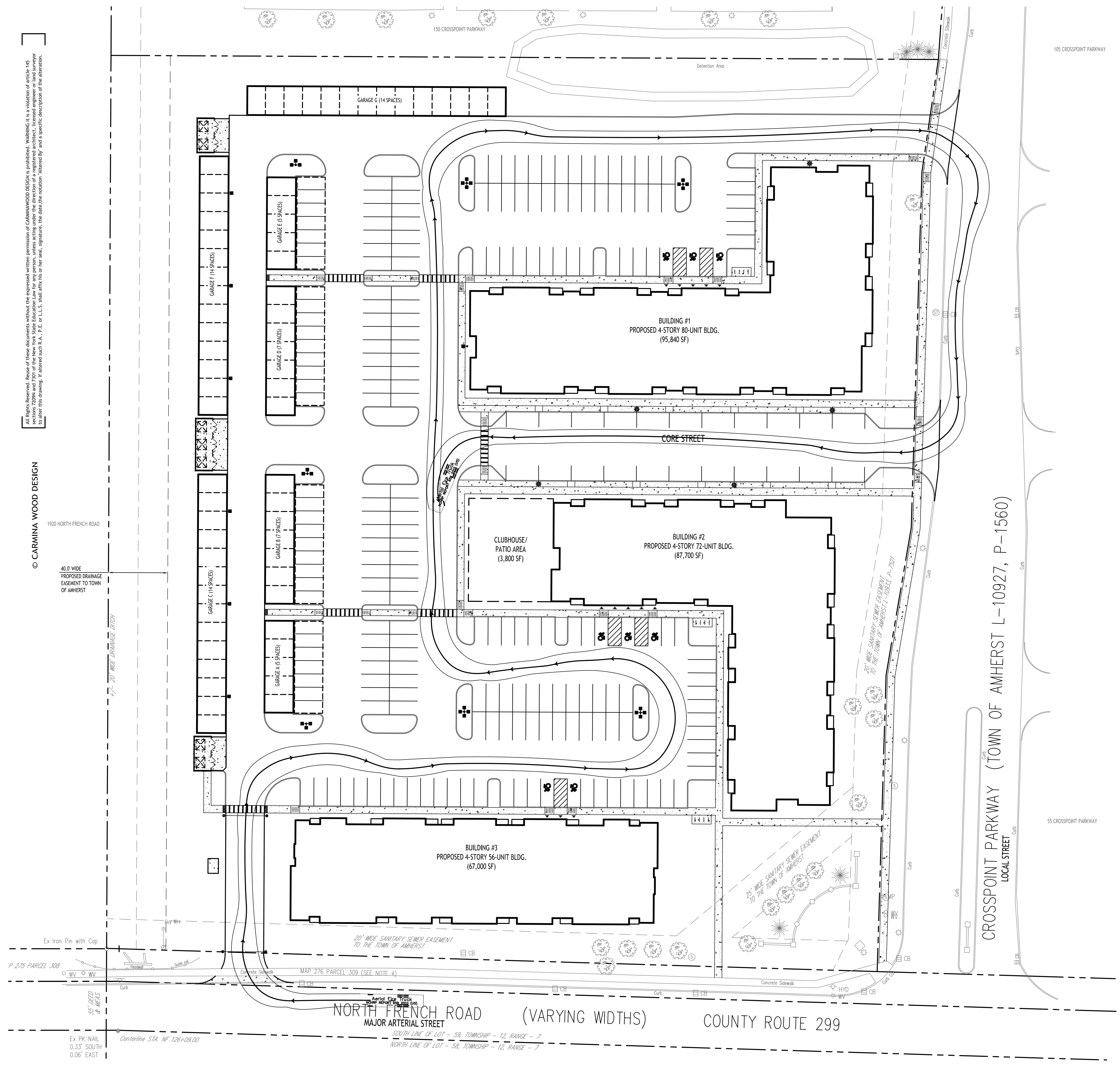


All Rights Reserved. Reuse of these documents without the expressed written permission of CARMINA WOOD DESIGN is prohibited. WARNING: It is a violation of article 145 of the Vehicle and Traffic Law of the State of New York for any person who is not a duly licensed professional engineer to alter this drawing. If altered such R.A., P.E. or L.L.S. shall affix his or her seal, signature, the date, the notation "Altered By," and a specific description of the alteration.

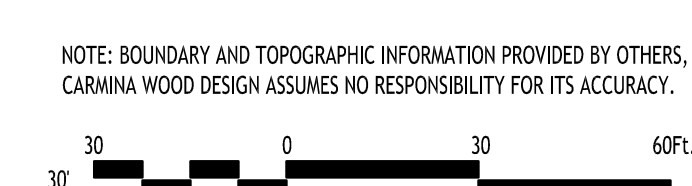
© CARMINA WOOD DESIGN



Aerial Fire Truck

	feet
Width	: 8.50
Track	: 8.50
Lock to Lock Time	: 6.0
Steering Angle	: 33.3

Site Plan
SCALE: 1"=30'



NOTE: BOUNDARY AND TOPOGRAPHIC INFORMATION PROVIDED BY OTHERS, CARMINA WOOD DESIGN ASSUMES NO RESPONSIBILITY FOR ITS ACCURACY.

CARMINA WOOD DESIGN
111 Bain Street, Suite 332
Getzville, NY 12108
Phone: (315) 937-9099

Multi-Family Development
50 Crosspoint Parkway
Getzville, NY

REVISIONS:

No.	Description	Date
1	Rev. per Town comments	9/23/22

DRAWING NAME:
Fire Truck Plan

Date: 8/22/22
Drawn By: P. Sheedy
Scale: As Noted

DRAWING NO.:
CF-100
Project No: 21.332